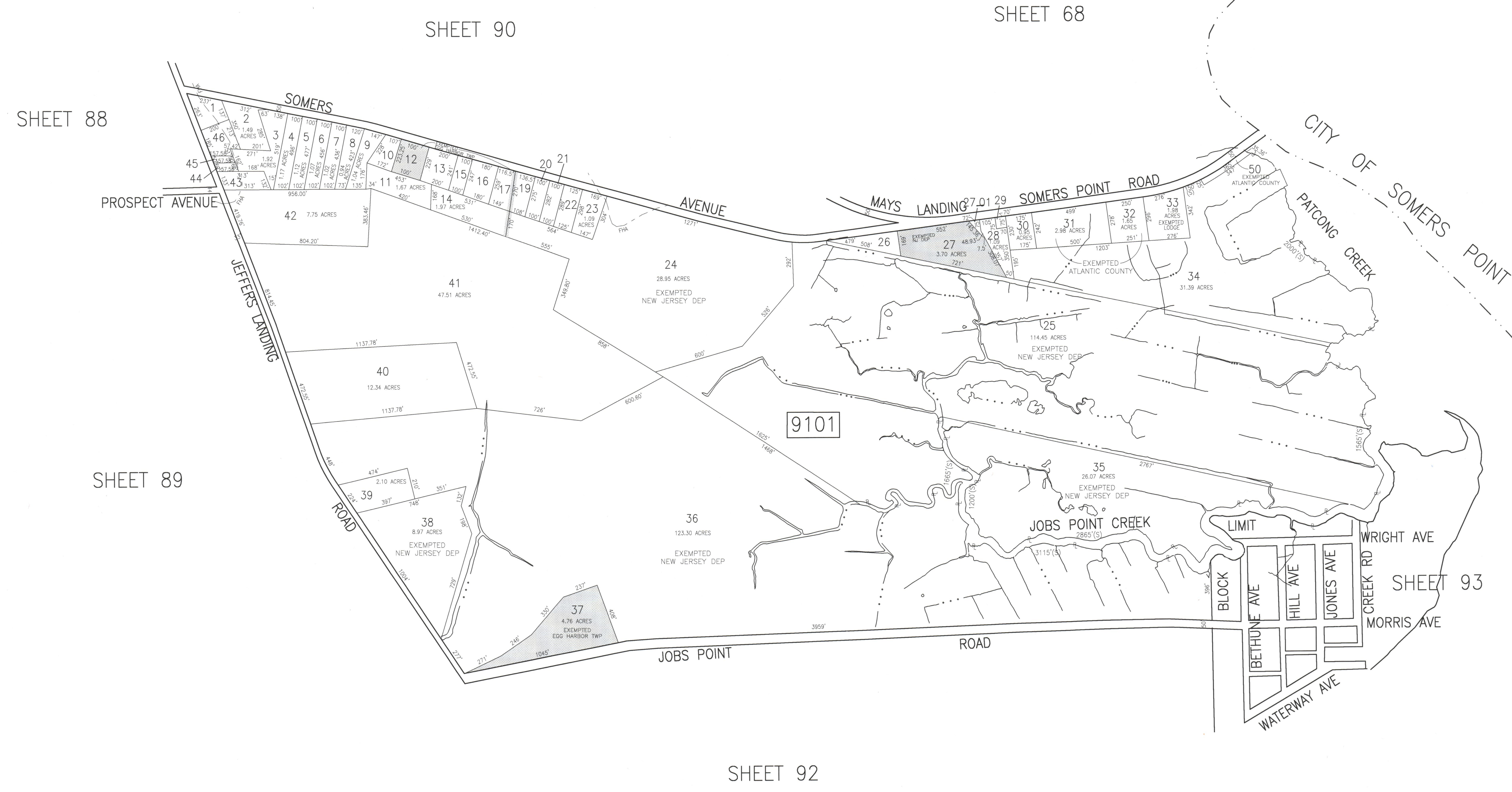
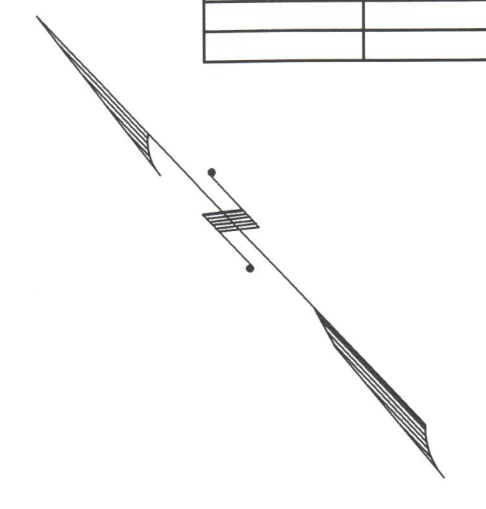


| REVISIONS | | | |
|-----------|-----|----------|----------|
| DATE | BY | LIC. NO. | COMMENTS |
| 6/18/10 | JAM | 29918 | |
| 1/10/13 | JAM | 29918 | |
| 12/26/14 | JAM | 29918 | |
| | | | |
| | | | |
| | | | |



 SHADED AREAS INDICATE EGG HARBOR TOWNSHIP EXEMPTED PROPERTY
 THIS SHEET HAS BEEN DRAWN USING COMPUTER AIDED DRAFTING/DESIGN (CAD/D).

TAX MAP
 TOWNSHIP OF EGG HARBOR
 ATLANTIC COUNTY, NEW JERSEY
 SCALE: 1"=400' JANUARY 2008
JAMES A. MOTT, PE, PLS
PROFESSIONAL ENGINEER & LAND SURVEYOR
 NEW JERSEY LICENSE NO. 29918
 3122 FIRE ROAD
 EGG HARBOR TOWNSHIP, NJ 08234