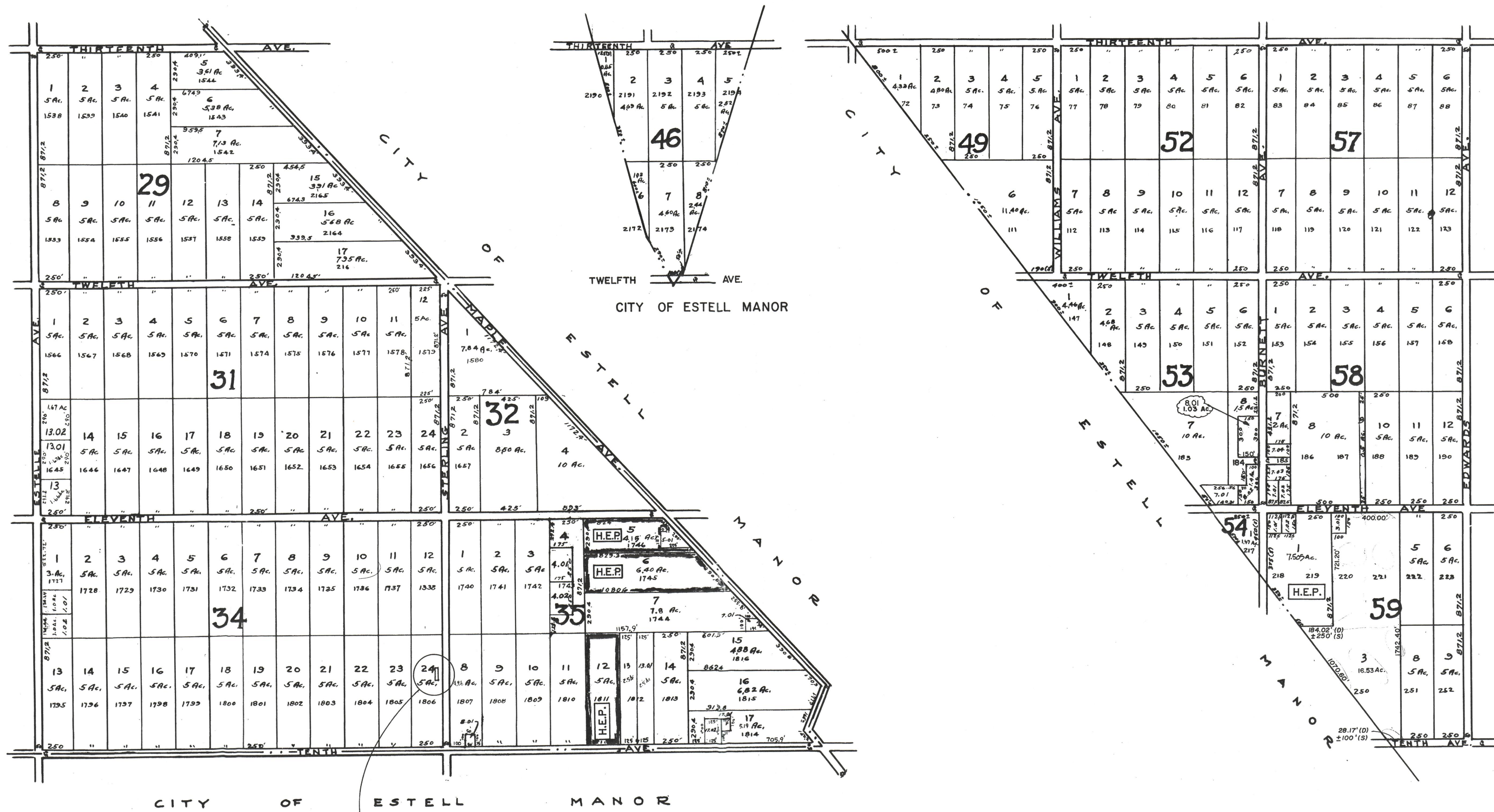
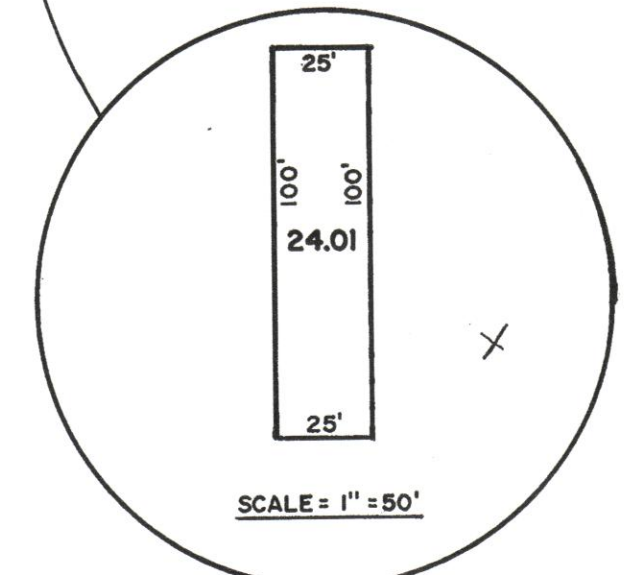


See Sheet 3



See Sheet 2

See Sheet 5



Lots Numbered 1538 to 2134 D.L. Risley Map Tract No. 17
 Lots Numbered 72 to 252 A.G. Vautrinot Map Walker Tract

NOTE:
 H.E.P. IS IN ACCORDANCE WITH THE WEYMOUTH TOWNSHIP
 HOMESTEAD EXCHANGE PROGRAM (13-9.21). DEVELOPABLE
 LOTS, AND THE SHADED LOTS ARE THE RESTRICTED LOTS.

TAX MAP
WEYMOUTH TOWNSHIP, N.J.
 SCALE: 1" = 400'
 Revised 1958
 John Adams Twp. Engineer
 Revised 1984 by RONALD J. PRICE, N.J.L.E. 13901

REVISED TO DEC. 31, 1997 BY R & V - W/O No. 97-03
 REVISED TO NOV. 15, 1996 BY R & V - W/O No. 96-08
 REVISED TO APRIL 15, 1996 BY R & V
 REVISED TO DEC. 31, 1995 BY R & V
 REVISED TO DEC. 1, 1994 BY R & V