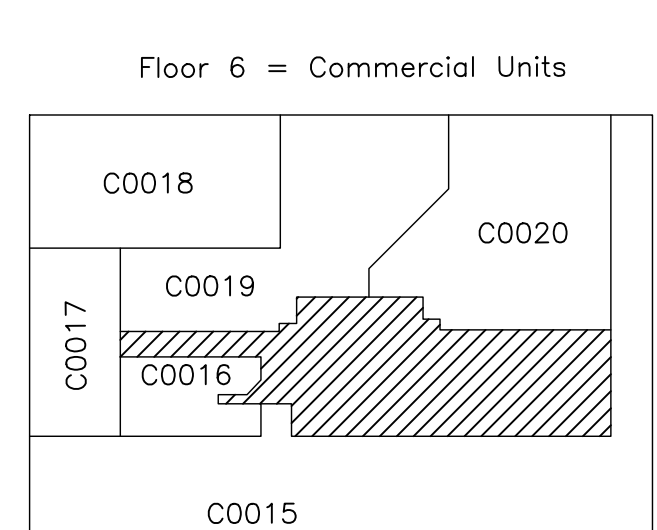
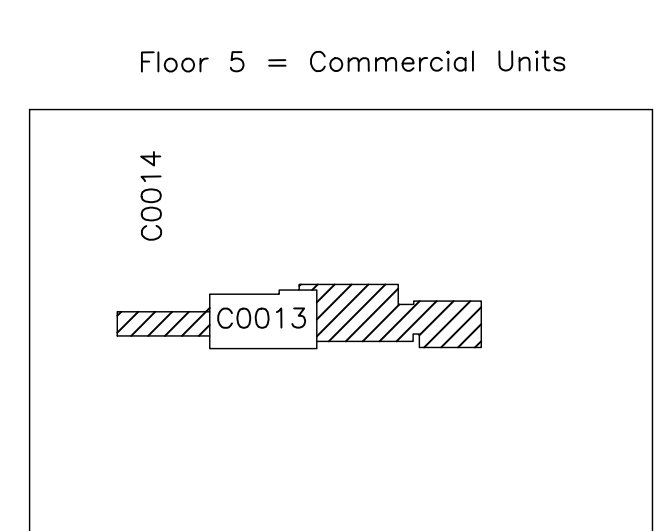
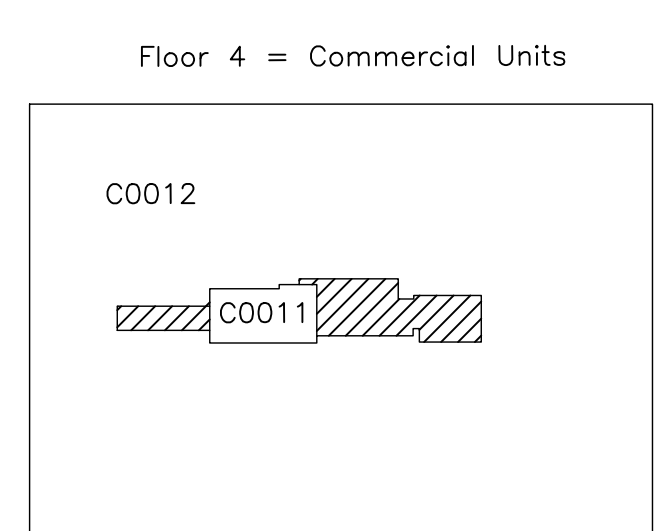
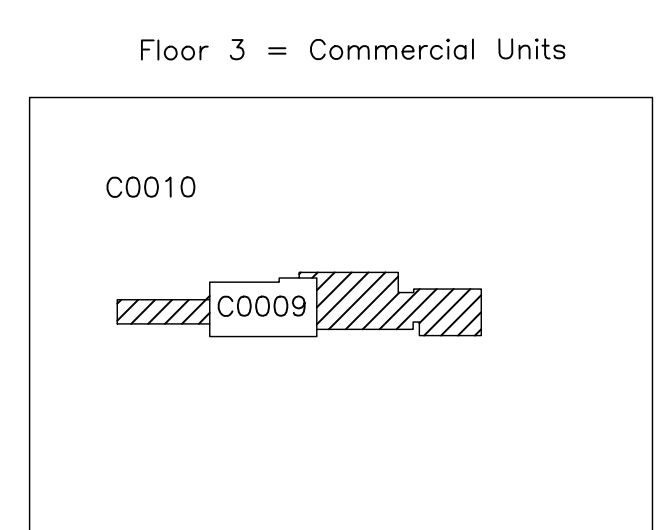
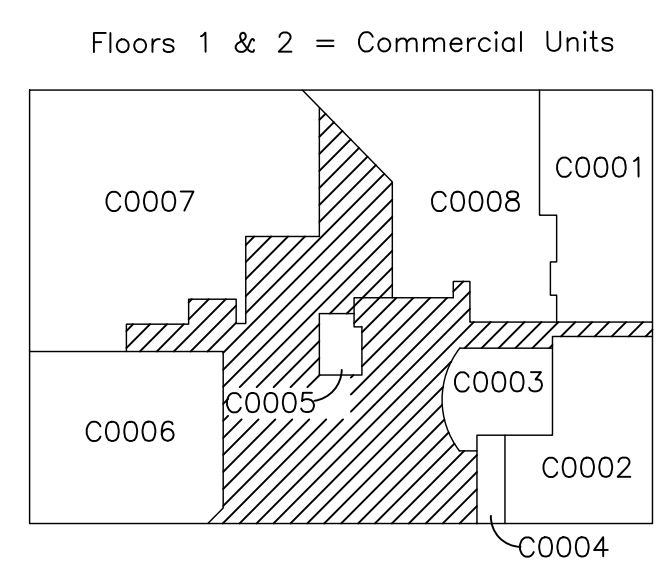
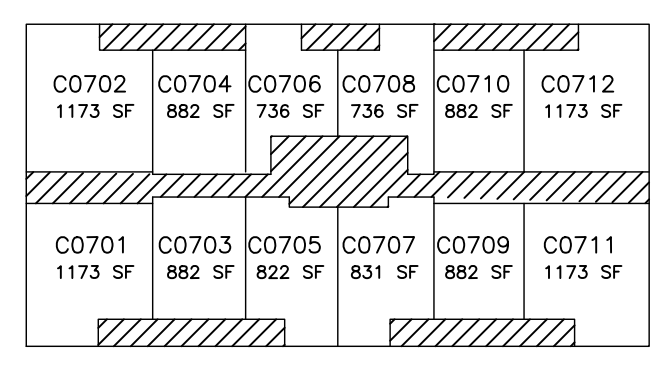


"FAIRFIELD ATLANTIC CITY SKYLINE TOWERS" CONDOMINIUMS
BLOCK 58 LOT 1

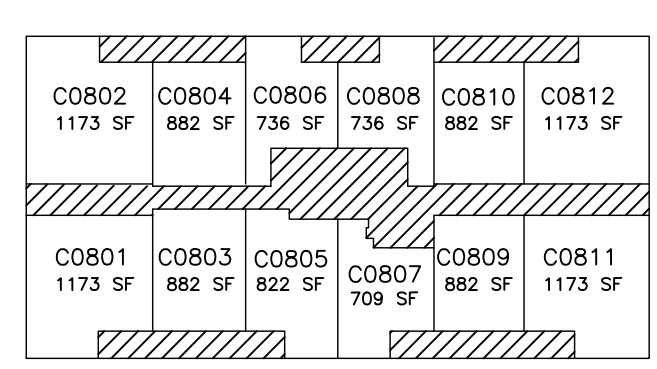


COMMON AREAS



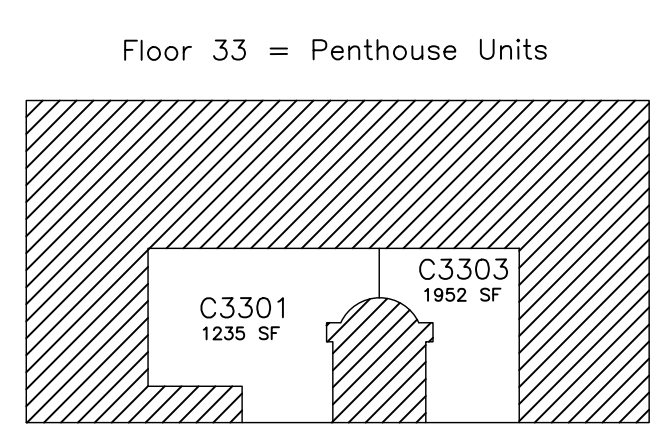
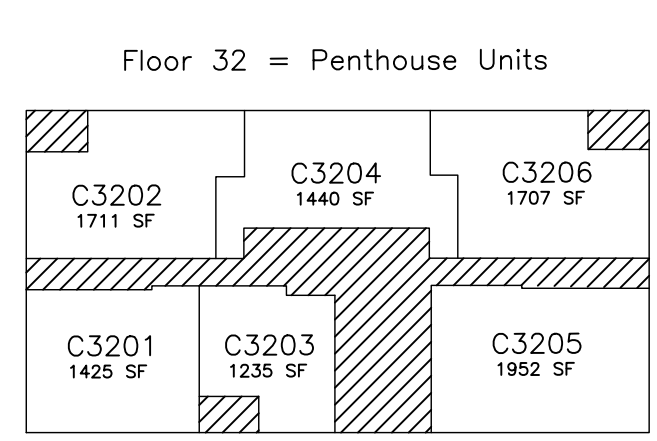
TYPICAL 7TH, 9TH, 10TH, 12TH, 14TH, 16TH, 17TH, 19TH, 20TH, 22ND, 23RD, 25TH, 26TH, 28TH, 29TH, & 31ST FLOORS

- CONDO UNIT NUMBERS
- 7th Floor Units = C0701 thru C0712
 - 9th Floor Units = C0901 thru C0912
 - 10th Floor Units = C1001 thru C1012
 - 12th Floor Units = C1201 thru C1212
 - 14th Floor Units = C1401 thru C1412
 - 16th Floor Units = C1601 thru C1612
 - 17th Floor Units = C1701 thru C1712
 - 19th Floor Units = C1901 thru C1912
 - 20th Floor Units = C2001 thru C2012
 - 22nd Floor Units = C2201 thru C2212
 - 23rd Floor Units = C2301 thru C2312
 - 25th Floor Units = C2501 thru C2512
 - 26th Floor Units = C2601 thru C2612
 - 28th Floor Units = C2801 thru C2812
 - 29th Floor Units = C2901 thru C2912
 - 31st Floor Units = C3101 thru C3112



TYPICAL 8TH, 11TH, 15TH, 18TH, 21ST, 24TH, 27TH & 30TH FLOORS

- CONDO UNIT NUMBERS
- 8th Floor Units = C0801 thru C0812
 - 11th Floor Units = C1101 thru C1112
 - 15th Floor Units = C1501 thru C1512
 - 18th Floor Units = C1801 thru C1812
 - 21st Floor Units = C2101 thru C2112
 - 24th Floor Units = C2401 thru C2412
 - 27th Floor Units = C2701 thru C2712
 - 30th Floor Units = C3001 thru C3012



REVISIONS				
DATE	BY	LIC. NO.	BLOCK	LOT

THIS MAP HAS BEEN GIVEN A FORMAL CERTIFICATION BY THE DIVISION OF TAXATION ON NOVEMBER 25, 1997, SIGNED BY WILLIAM H. BLACK, CTA AND ASSIGNED SERIAL NUMBER 778

TAX MAP
CITY OF ATLANTIC CITY
ATLANTIC COUNTY, NEW JERSEY
NOT TO SCALE DATE: AUG 1995
JOSEPH M DOLAN, PLS, PP
MUNICIPAL LAND SURVEYOR
NEW JERSEY LICENSE NO. 23930
OFFICE OF THE CITY ENGINEER
603 CITY HALL
ATLANTIC CITY, NEW JERSEY 08401