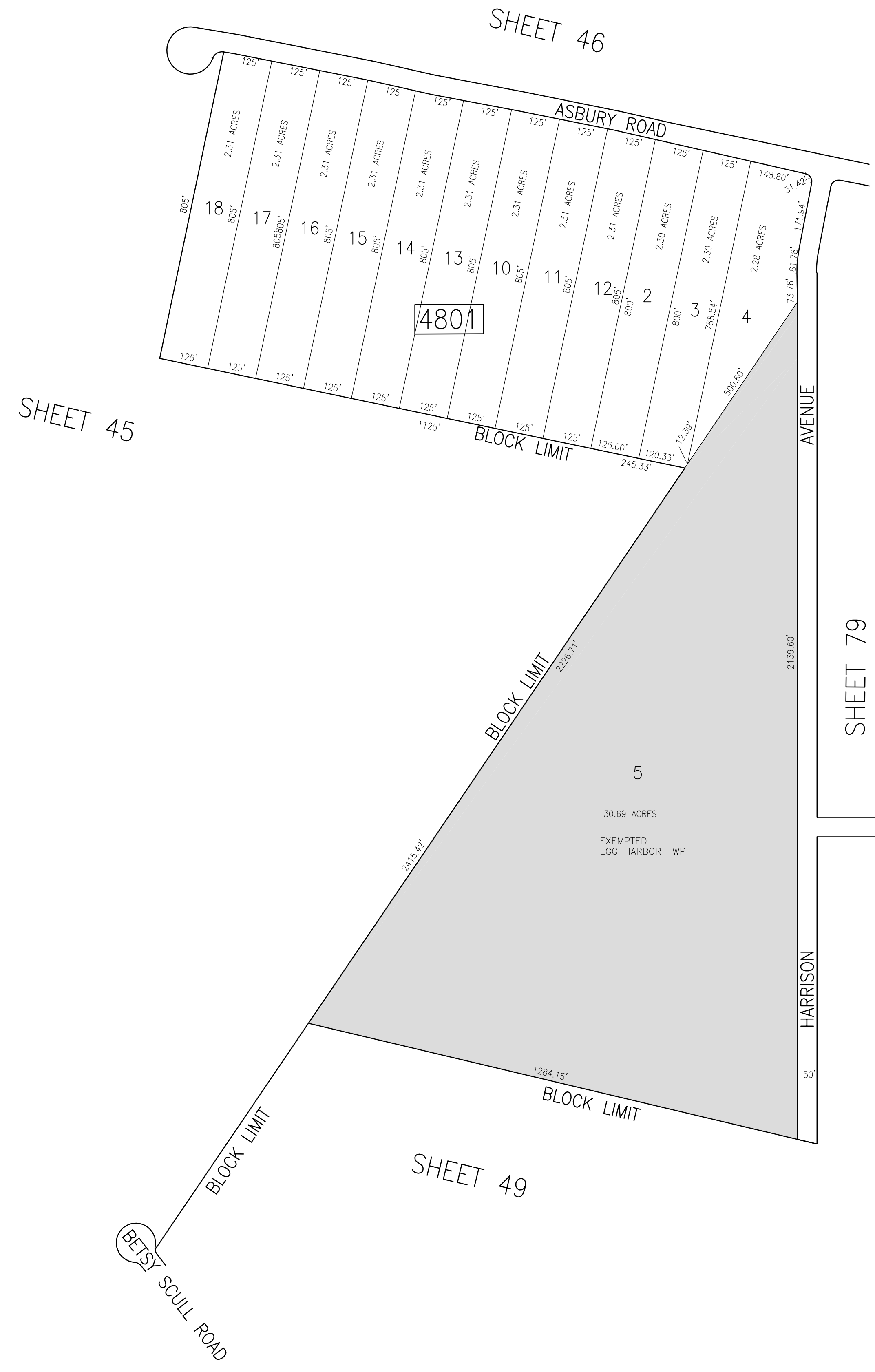
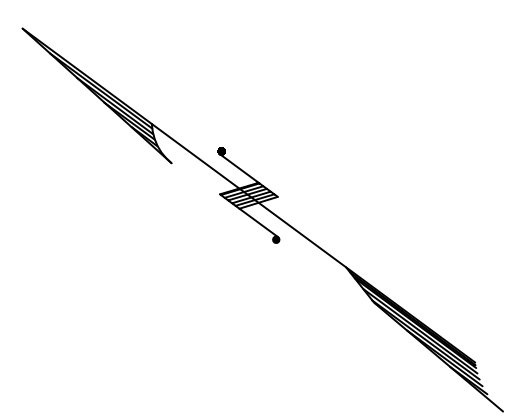


REVISIONS			
DATE	BY	LIC. NO	COMMENTS
6/23/10	JAM	29918	
3/12/12	JAM	29918	
7/16/12	JAN	29918	



THIS SHEET HAS BEEN DRAWN USING COMPUTER AIDED DRAFTING/DESIGN (CAD/D).

SHADED AREAS INDICATE EGG HARBOR TOWNSHIP EXEMPTED PROPERTY

TAX MAP
 TOWNSHIP OF EGG HARBOR
 ATLANTIC COUNTY, NEW JERSEY
 SCALE: 1"=200' JANUARY 2008
 JAMES A. MOTT, PE, PLS
 PROFESSIONAL ENGINEER & LAND SURVEYOR
 NEW JERSEY LICENSE NO. 29918
 3122 FIRE ROAD
 EGG HARBOR TOWNSHIP, NJ 08234