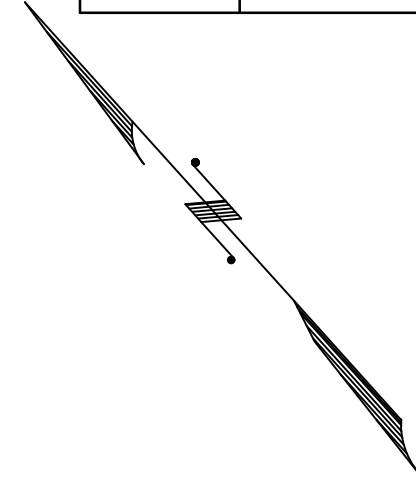


REVISIONS			
DATE	BY	LIC. NO.	COMMENTS
6/18/10	JAM	29918	
1/7/15	JAM	29918	
12/17/15	JAM	29918	
1/20/17	JAM	29918	
10/24/17	JAM	29918	
2/23/18	JAM	29918	
7/20/2020	JAM	29918	



SHEET 91

SHEET 92



 SHADDED AREAS INDICATE EGG HARBOR TOWNSHIP EXEMPTED PROPERTY  
 THIS SHEET HAS BEEN DRAWN USING COMPUTER AIDED DRAFTING/DESIGN (CAD/D).

**TAX MAP**  
 TOWNSHIP OF EGG HARBOR  
 ATLANTIC COUNTY, NEW JERSEY  
 SCALE: 1"=100' JANUARY 2008  
**JAMES A. MOTT, PE, PLS**  
PROFESSIONAL ENGINEER & LAND SURVEYOR  
 NEW JERSEY LICENSE NO. 29918  
 3122 FIRE ROAD  
 EGG HARBOR TOWNSHIP, NJ 08234